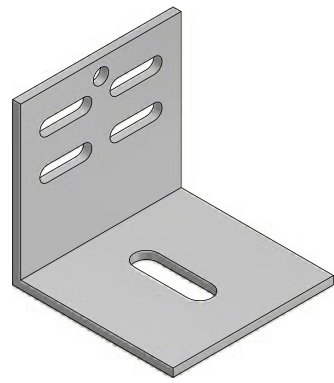


3DVIEW
SCALE 1 : 2

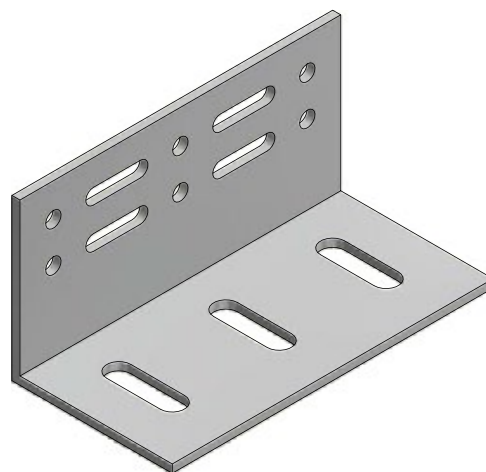
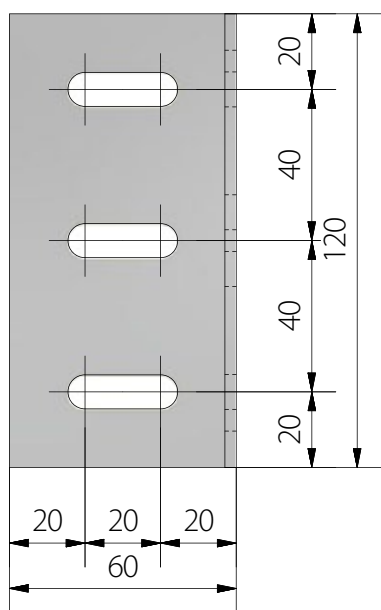
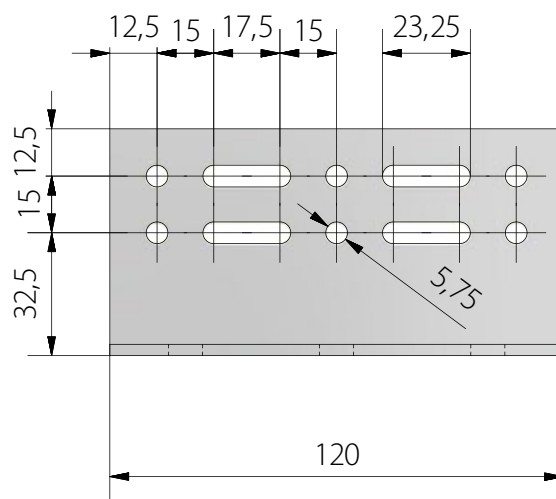
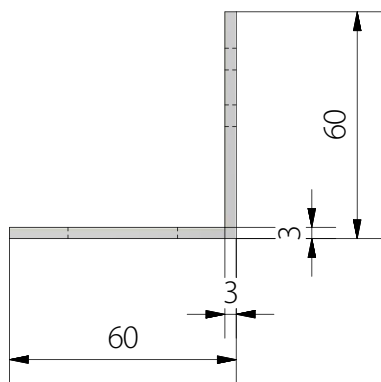


Notes:

- Material: ALU-6063-T5.
- Weight: 51,3 g
- Finish: Raw.
- Brackets can be anodized under request.

Title: BR_01_X60X60X3-h60MM	
Plan n: BR_FTS_01	GENERAL VIEWS
Date: 20/11/2015	
Rev: 00	
Scale: 1 : 1	
Format: A4	Tolerances according to standar DIN 17615
	Measures in mm

SKANFAS
 Rikkiläntie 993
 FI-54330 Simola
 Finland
 mika.lahikainen@skanfas.com
 Tel. +358 50 3615139



Notes:

- Material: ALU-6063-T5.
- Weight: 102,4 g
- Finish: Raw.
- Brackets can be anodized under request.

Title: BR_04_X60X60X3-H120MM

Plan n:

BR_FTS_04

Date: 20/11/2015

Rev: 00

Scale: 1 : 2

Format: A4

GENERAL VIEWS

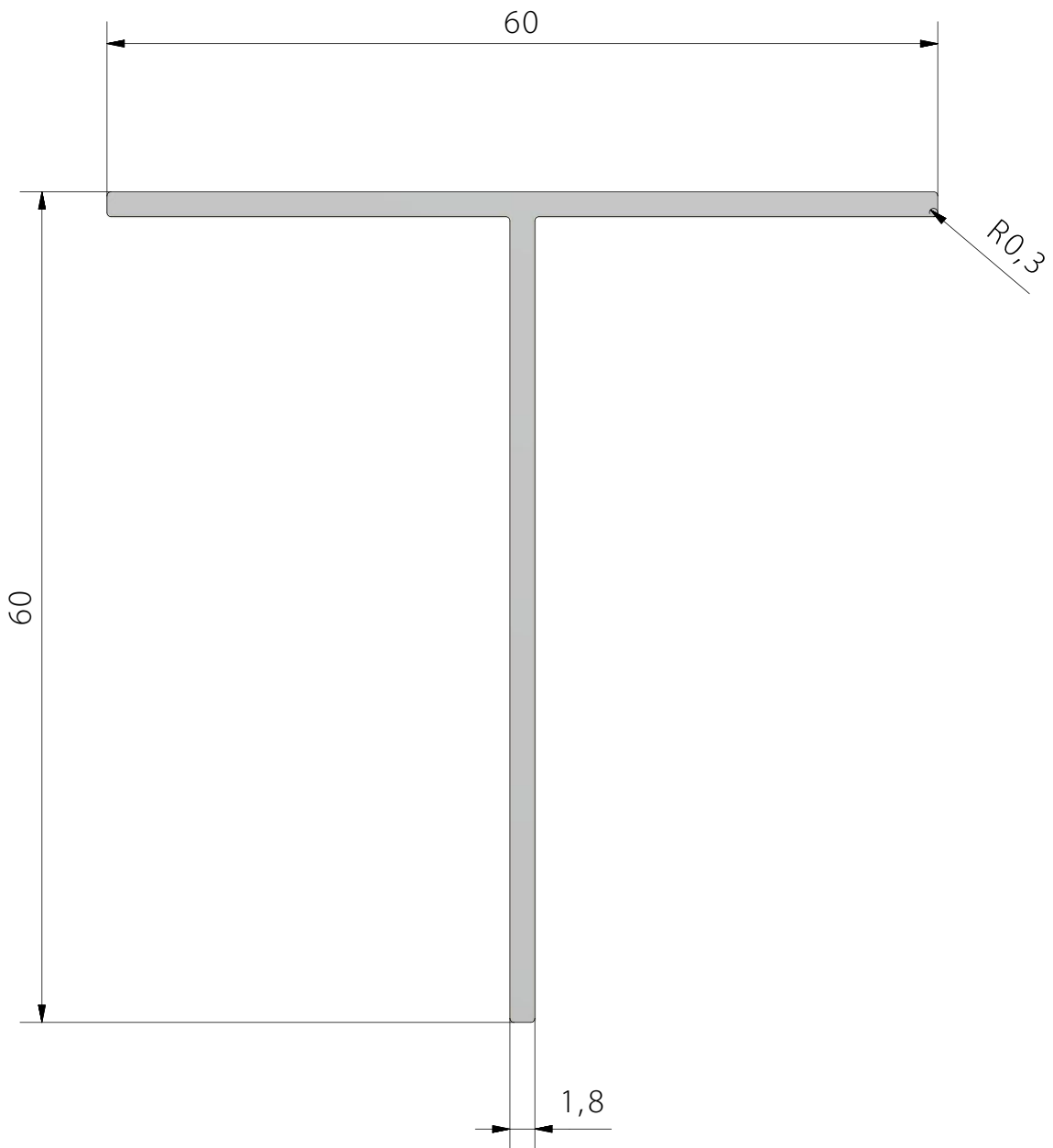
Tolerances according to standar DIN 17615

Measures in mm

SKANFAS

Rikkiläntie 993
FI-54330 Simola
Finland

mika.lahikainen@skanfas.com
Tel. +358 50 3615139



Title: FTST PROFILE 60x60x1.8

Plan n:

VP_FTS_01

Date: 10/12/2015

Rev: 00

Scale: 2 : 1

Format: A4

GENERAL VIEWS

Tolerances according to standar DIN 17615

Measures in mm

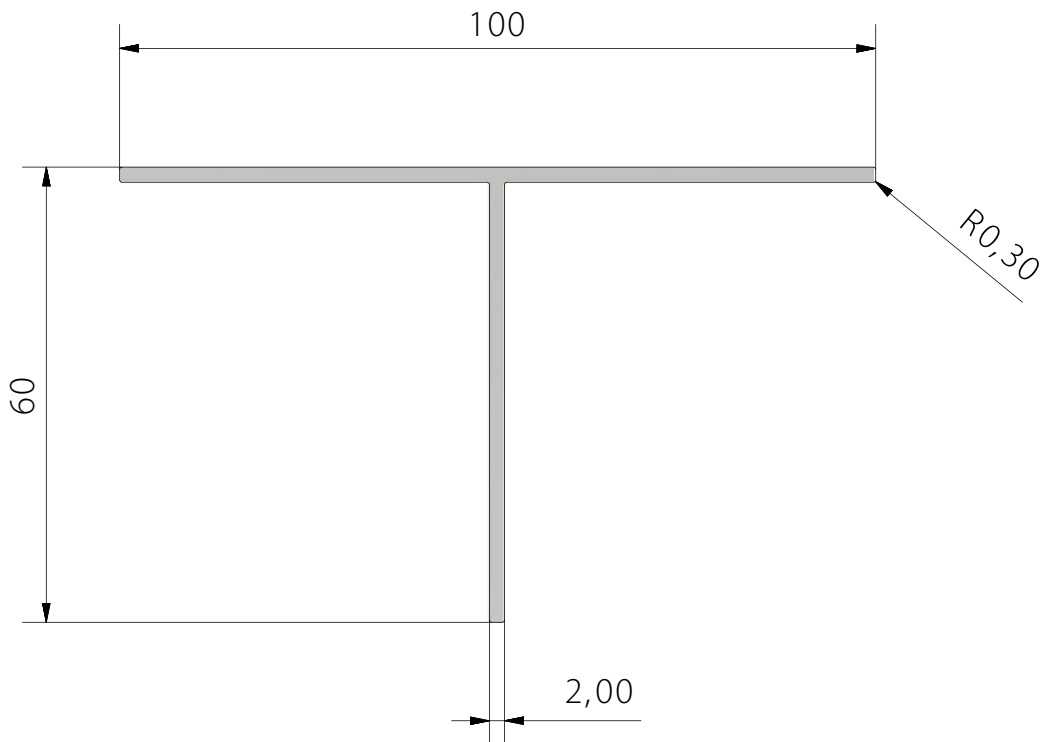
SKANFAS

Rikkiläntie 993
FI-54330 Simola
Finland

mika.lahikainen@skanfas.com
Tel. +358 50 3615139


Notes:

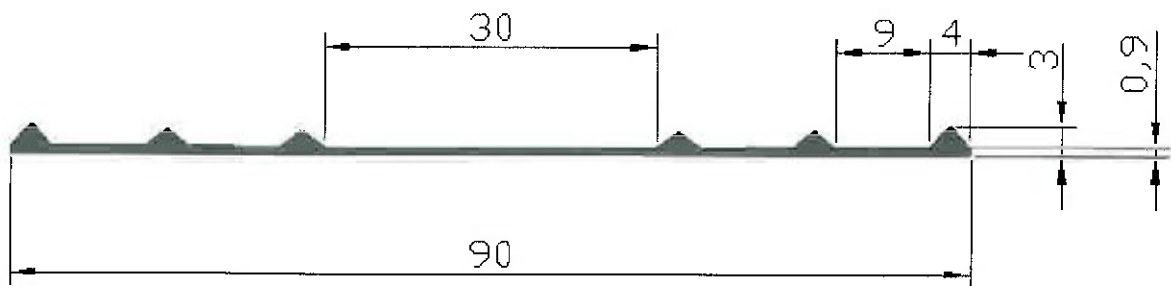
- Material: ALU-6063-T5.
- Weight: 0,574 kg/ml
- Finish: Raw.



Notes:

- Material: ALU-6063-T5.
- Weight: 0,854 kg/ml
- Finish: Raw.

Title: FTST PROFILE 100x60x2		 Rikkiläntie 993 FI-54330 Simola Finland mika.lahikainen@skanfas.com Tel. +358 50 3615139
Plan n:	GENERAL VIEWS	
VP_FTS_04		
Date: 10/12/2015		
Rev: 00		
Scale: 1 : 1		
Format: A4	Tolerances according to standar DIN 17615	
	Measures in mm	



EPT Rubber 90mm

Technical features of the material

Elastomer	EPDM	
Colour	black	
Hardness, Shore A	70	+/- 5
Specific gravity, g/cm ³	1,29	+/- 0,03
Tensile strength, N/mm ²	8,10	min.
Elongation at break, %	303	min.
Operating temperature, °C		
- long-term °C	90	
- short-term °C	150	
- sub-zero °C	-40	
Compression set 24h 1100°C 25%	42%	
UV resistance	excellent	
Chemical resistance	limited	
- acids, bases	good	
- mineral oils	low	
Wear strenght	good	
Fire resistance	low	
Water resistance	excellent	

SKANFAS

Rikkiläntie 993
FI-54330 Simola
Finland

mika.lahikainen@skanfas.com
Tel. +358 50 3615139

Format: A4 Measures in mm